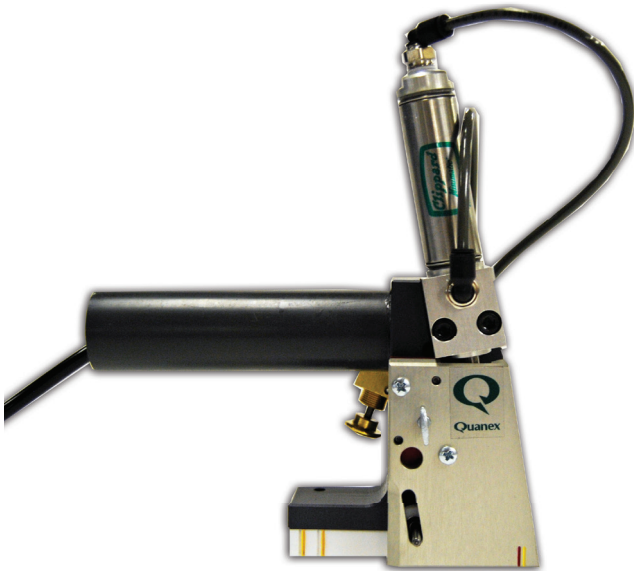


Super Spacer® TriSeal™ Shuttle



TriSeal™ Shuttle Features

Pneumatic operation
Replaceable wear plate

Service Requirements

Electrical: None
Air: 100 PSI

The Quanex TriSeal™ Shuttle is designed to meet your specific glass shop needs including:

- Hand-held pneumatic tool for a continuous process
- Spacer width adjustment can accommodate sizes from 3/16" to 15/16"
- Fixed setback distance for straight-line application
- Circular punch for corner notching
- Cutting blade for final spacer cut-off
- Replaceable wear plate



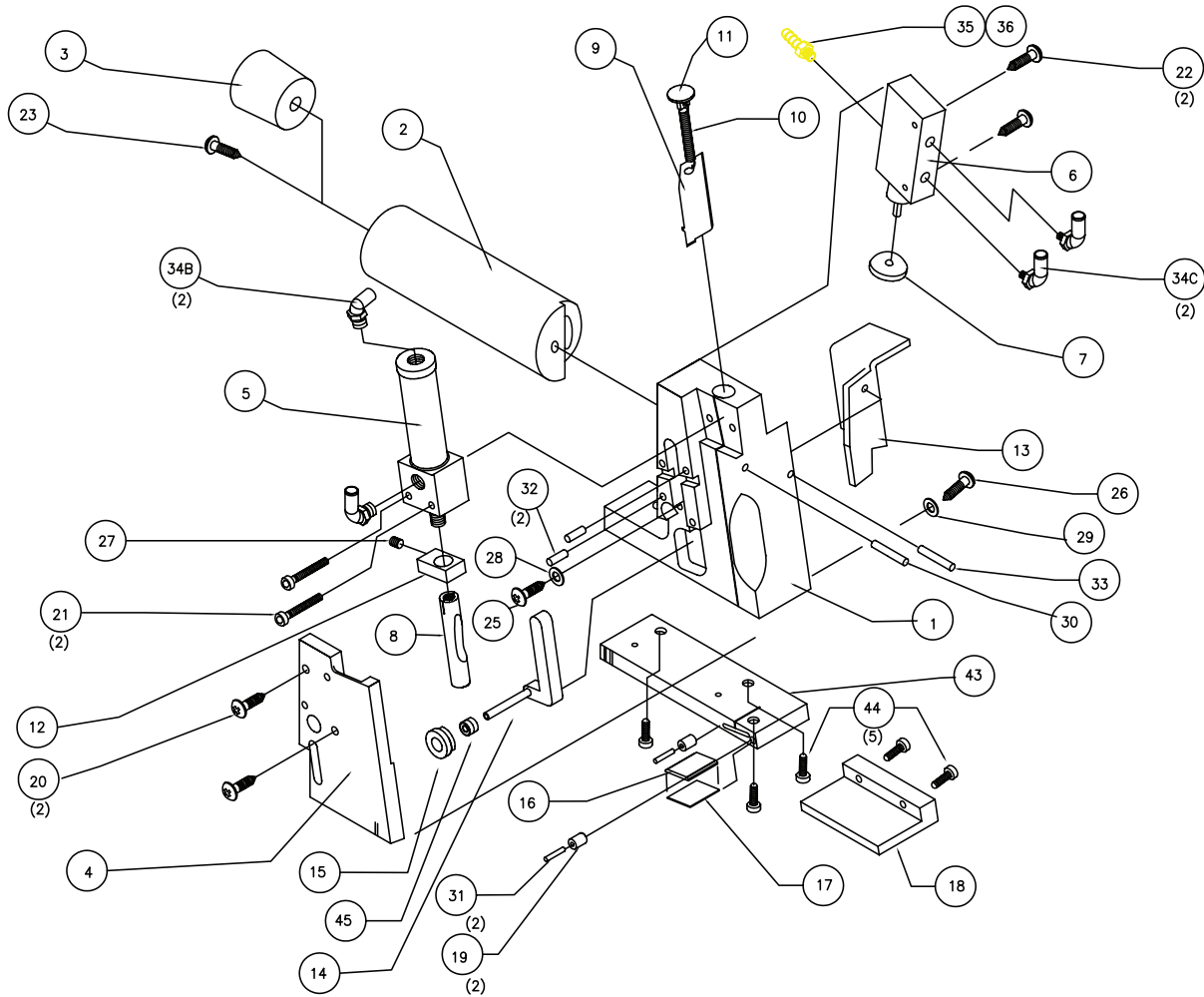
Equipment Solutions

Super Spacer® TriSeal™ Shuttle

SPARE PARTS ORDER FORM
Super Spacer® TriSeal™ Shuttle Spacer Applicator
Tool # E-1030000

Draw Ref.	Part #	Description	Qty.
1	001097	Body (Straight)	
2	001099	Handle	
4	001102	Faceplate, Standard	
5	E-99400059	Cylinder	
6	001109	Valve	
7	001110	Trigger Button	
8	E-10301004	Notcher Punch	
9	001113	Cutting Blade	
10	001114	Spring	
11	001115	Spring Button	
12	E-10301008	Punch Collar TriSeal	
13	001117	Cutting Blade Trigger	
14	001119	Pressure Wheel Holder	
15	E-10301014	Pressure Wheel TriSeal, Stepped	
16	001126	Cutting Pad	
17	001127	Backing Plate	
18	E-10301005	Guide Block, 1/4" Offset TriSeal	
19	E-10301002	Guide Roller TriSeal	
20	001134	Screw, Faceplate Mounting	
21	001136	Screw, Cylinder Mounting	
22	001137	Screw, Valve Mounting	
23	001137	Screw, Handle Mounting	
25	001139	Screw, Pressure Wheel Adjusting	
26	001140	Screw, Trigger Stop	

Draw Ref.	Part #	Description	Qty.
27	001141	Screw, Set, Punch Collar	
28	001142	Washer, Pressure Wheel Adjusting	
29	001143	Washer, Trigger Stop	
30	001144	Dowel, Cutting Blade Pivot	
31	001145	Dowel, Guide Roller	
32	001146	Dowel, Faceplate Alignment	
34		Fitting, Elbow	
34b	001149	Fitting, Elbow (Cylinder)	
34c	001150	Fitting, Elbow (Valve)	
35	001151	Fitting, Hose Barb	
36	001152	Gasket	
37		Hose	
37a	001153	Hose, Black	
37b	001154	Hose, Gray	
38	001156	Coupler, Male	
39	001157	Coupler, Female	
43	E-10301003	Wear Plate Tri Seal	
44	001164	Screw, Wear Plate Mounting	
45	E-99000160	Bearing, Pressure Wheel	
46	001473	Screw,new Pr Wheel Adjusting	
NA	005010	200' 1/4" x 1" 85 Shore A +/-5 Durometer silicone rubber	
NA	005012	10' 1/4" x 1" 85 Shore A +/-5 Durometer silicone rubber	



Rev. #	Revisions Made	Rev. Date
2	Added part numbers (10' 005012 and 200' 005010)	05-2016