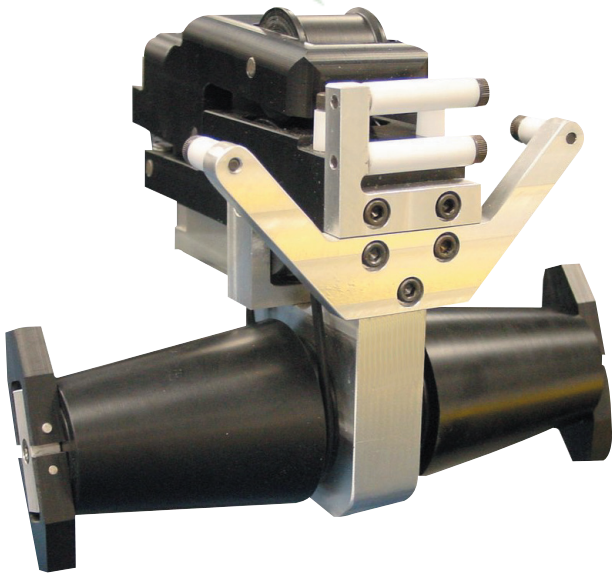


Super Spacer® Liner Stripper



Liner Stripper Features

Aluminum and Delrin construction
Ball bearing Cones
Belt drive

Service Requirements

Electrical: None
Air: None

The Quanex Liner stripper is designed to meet your specific glass shop needs including:

- Unique dual split Cone design for positive liner removal
- Aluminum and Delrin construction for durability
- No adjustment necessary for spacer changes
- Ball bearing Cones reduce pulling resistance
- Mechanical drive system eliminates the need for compressed air
- Quick and easy liner removal
- Easily replaceable drive belts
- Lower Maintenance



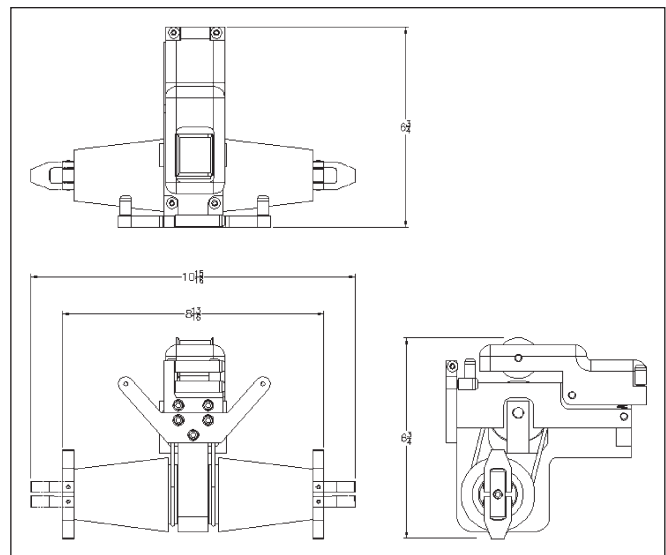
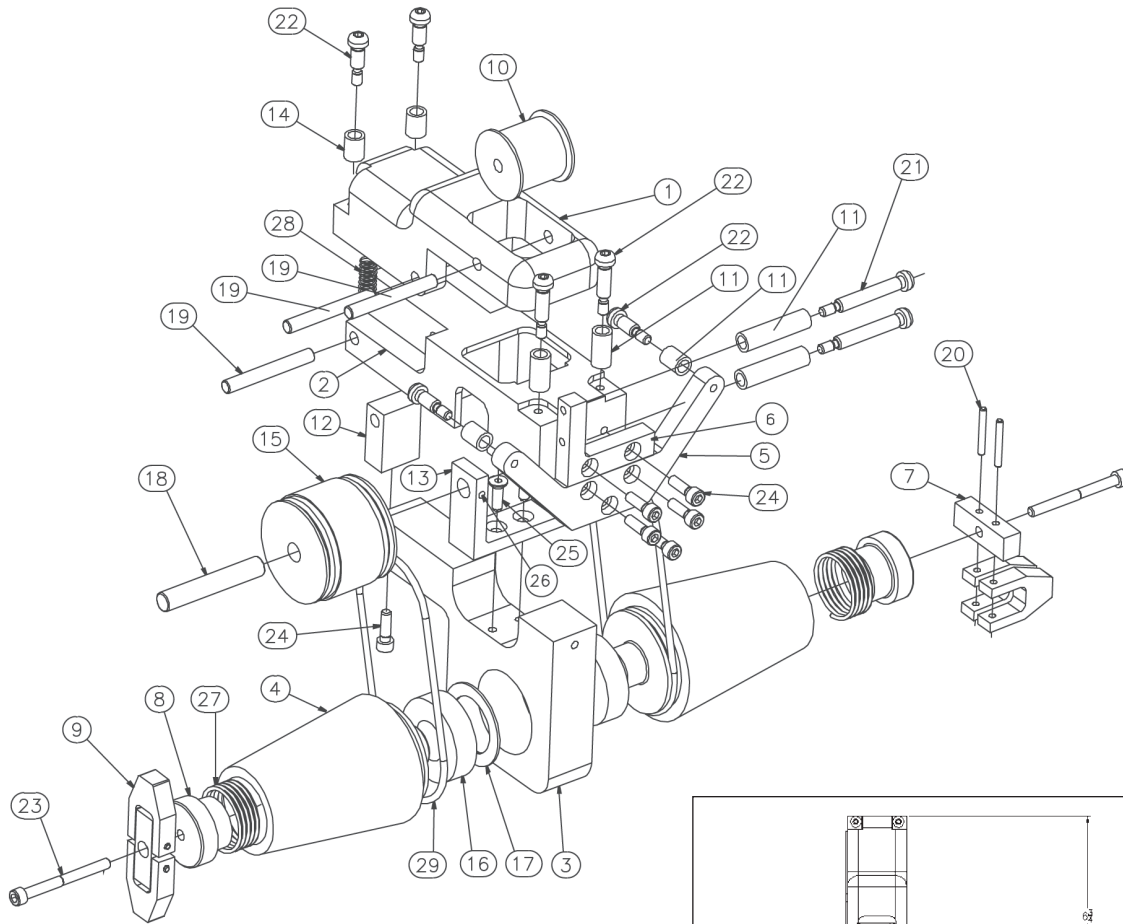
Equipment Solutions

Super Spacer® Liner Stripper

SPARE PARTS ORDER FORM
Quanex Line Stripper
Tool # E-1050000

Draw Ref.	Part#	Description		Qty.
1	E-10501000	Body, Top		
2	E-10501001	Body, Main		
3	E-10501002	Bracket, Bottom		
4	E-10501003	Cone, Driven		
5	E-10501004	Bracket, Short Roller		
6	E-10501005	Bracket, Long Roller		
7	E-10501006	Bracket, Cone Wing		
8	E-10501007	Button, Cone Spring		
9	E-10501008	Wing, Cone		
10	E-10501009	Roller, Pressure		
11	E-10501011	Roller, Long		
12	E-10501013	Pivot, Rear		
13	E-10501014	Bracket, Drive Wheel		
14	E-10501015	Roller, Short		
15	E-10505101	Wheel, Drive		
16	E-99000002	Bearing, 20 x 42 x 12mm		
17	E-99800005	Shim, Steel		
18	E-99800006	Pin, Dowel, 3/8 x 2-1/4		
19	E-99800007	Pin, Dowel 1/4 x 2		
20	E-99800008	Pin, Dowel 1/8 x 1		
21	E-99800009	Screw, Shoulder 1/4 x 1-1/2		

Draw Ref.	Part#	Description	Price	Qty.
22	E-99800010	Screw, Shoulder 1/4 x 3/4		
23	E-99800012	Screw, SHC 10-24 x 2		
24	E-99800013	Screw, SHC 10-24 x 5/8		
25	E-99800014	Screw, FHC 10-24 x 5/8		
26	E-99800015	Screw, Set 8-32 x 3/16		
27	E-99800016	Spring, Snap		
28	E-99800017	Spring, Clamp		
29	E-99800018	Belt, 3-1/4 ID x 3-1/2 OD x 1/8		



Rev. #	Revisions Made	Rev. Date
Original	Added parts kit order form	09-04-2013